

THIS DRAWING IS UNPUBLISHED. RELEASED FOR PUBLICATION  
 © COPYRIGHT BY TYCO ELECTRONICS CORPORATION. ALL RIGHTS RESERVED.

LOC	DIST	REVISIONS				
P	LTR	DESCRIPTION	DATE	DWN	APVD	
FT	0	0	RELEASED	10/22/03	SS CR	

**NOTES:**

**MATERIALS:**

HOUSING: POLYAMIDE 6, UL94V-0, COLOR: NATURAL.  
 TUBULAR CONTACT: BRASS, TIN PLATED.  
 SCREW: M3, STEEL, ZINC PLATED W/ CHROMATE.

**MECHANICAL:**

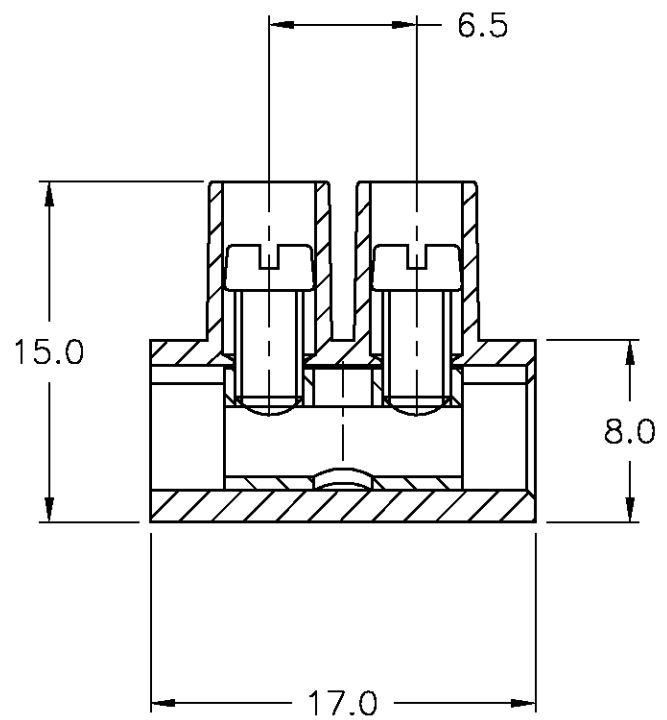
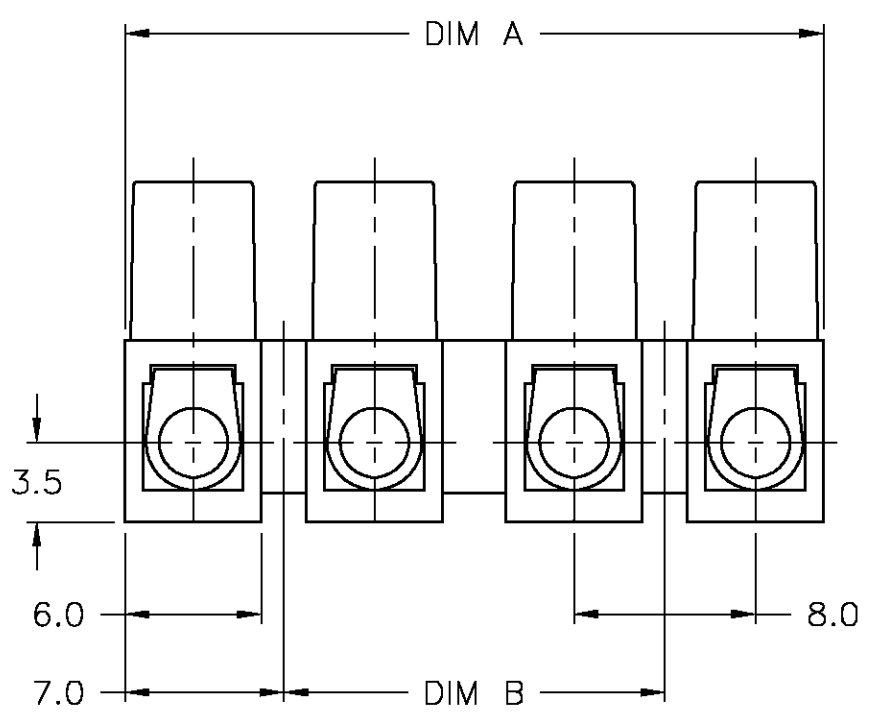
PITCH: 8.0mm  
 WIRE STRIP LENGTH: 5mm  
 MIN. WIRE PULL OUT: 75 LBS.  
 RECOMMENDED TIGHTENING TORQUE: 5 IN-LB.

**ELECTRICAL PROPERTIES:**

MAXIMUM CURRENT: 30A  
 OPERATING VOLTAGE: 250V  
 WIRE RANGE: 12-24 AWG  
 DIELECTRIC WITHSTAND: 3000V

**ENVIRONMENTAL PROPERTIES:**

CONTINUOUS WORKING TEMP: -35°C TO +100°C



80.0	94.0	12	TSB230 12	1437388-2
72.0	86.0	11	TSB230 11	-
64.0	78.0	10	TSB230 10	4-1437429-4
56.0	70.0	9	TSB230 09	9-1437387-7
48.0	62.0	8	TSB230 08	9-1437387-5
40.0	54.0	7	TSB230 07	-
32.0	46.0	6	TSB230 06	9-1437387-2
24.0	38.0	5	TSB230 05	9-1437387-0
16.0	30.0	4	TSB230 04	8-1437387-8
8.0	22.0	3	TSB230 03	8-1437387-6
-	14.0	2	TSB230 02	8-1437387-4
-	6.0	1	TSB230 01	8-1437387-3
DIM B	DIM A	NO. OF POS.	CATALOG NUMBER	PART NUMBER

THIS DRAWING IS A CONTROLLED DOCUMENT.		DWN S SCHLEGEL 22OCT03	Tyco Electronics Corporation Harrisburg, PA 17105		
DIMENSIONS: MM		CHK C RICHARD 10/22/03			
TOLERANCES UNLESS OTHERWISE SPECIFIED:		APVD C RICHARD 10/22/03	NAME 8.0mm PITCH, 30A, W/ TUNNEL CONNECTION EUROPA TERMINAL BLOCK		
0 PLC ± - 1 PLC ± .3 2 PLC ± .25 3 PLC ± - 4 PLC ± - ANGLES ± -		PRODUCT SPEC -	APPLICATION SPEC -		
MATERIAL -		FINISH -	WEIGHT -	SIZE A3	CAGE CODE 00779
CUSTOMER DRAWING			DRAWING NO C-8-1437387-3	RESTRICTED TO -	
SCALE NTS			SHEET 1	OF 1	REV 0